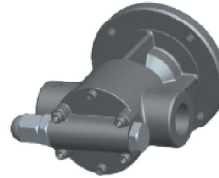
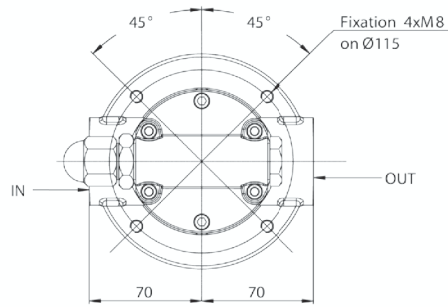
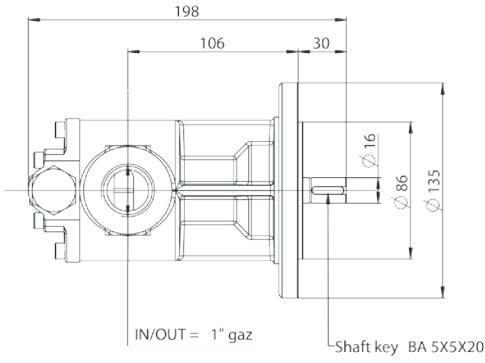


P10 - P16 - P20 - P25

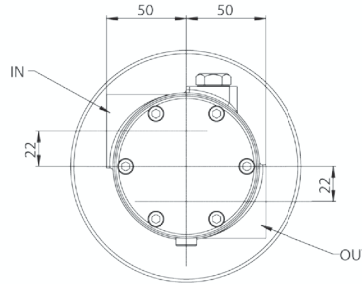
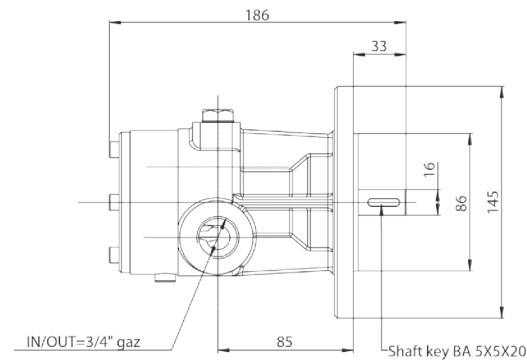


Poids / Weight : 8 kg

DONNÉES TECHNIQUES / TECHNICAL DATA

Plage de débit (L/min) Flow range (L/min)	≤ 37
Plage de vitesse (tr/min) Speed rotation range (rpm)	≤ 1500*
Plage de viscosité (cSt) Fluid viscosity range (cSt)	1 – 10000*
Capacité d'aspiration (Bar) Suction capacity (Bar)	-0,5
Pression max. d'utilisation (Bar) Max. operating pressure (Bar)	10
Bypass intégré Integrated bypass	Yes
Tarage standard du Bypass (Bar) Standard setting of Bypass	5
Plage de température (°C) Standard operating temperature (°C)	-20 / +150
Matériau corps et stator Body and stator material	Cast iron
Matériau arbre et pales Shaft and vanes materials	Hardened steel
Taille max. des particules solides (microns) Max. size of hard particles (microns)	200
Pression acoustique (dB) Acoustic pressure (dB)	65
Type d'étanchéité disponible Seal type	Mechanical seal

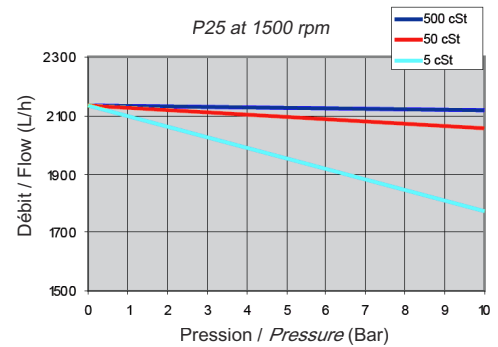
PR10 - PR16 - PR20 - PR25



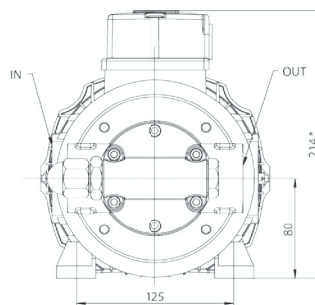
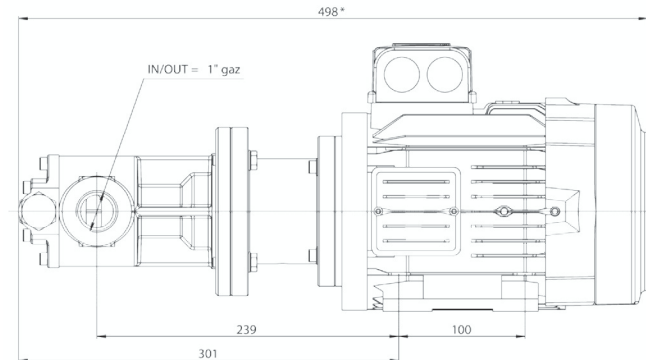
Poids / Weight : 8 kg

Ref.	Débit à 1500 tr/min Flow at 1500 rpm
P10 / PR10 / MP10	15 L/min
P16 / PR16 / MP16	24 L/min
P20 / PR20 / MP20	30 L/min
P25 / PR25 / MP25	37 L/min

Flow evolution depending on the pressure



MP10 - MP16 - MP20 - MP25



Disponible aussi en version réversible
Also available with reverse system

In this range of capacities the standard Pollard motorpumps are equipped with 0,75kW, 4 poles B3/B14s flanged motor

Dims.: Depending on the motor
Weight : Depending on the motor

*Tableau de la viscosité/vitesse * Viscosity/speed ratio chart

Viscosité (cSt) Viscosity (cSt)	Vitesse max. (tr/min) Max. speed (rpm)
Visc. < 1000	1500
1000 < Visc. < 3000	1000
3000 < Visc. < 5000	750
5000 < Visc. < 10000	500
Visc. > 10000	200

The performance of our products depends on their installation. Please contact us for validation