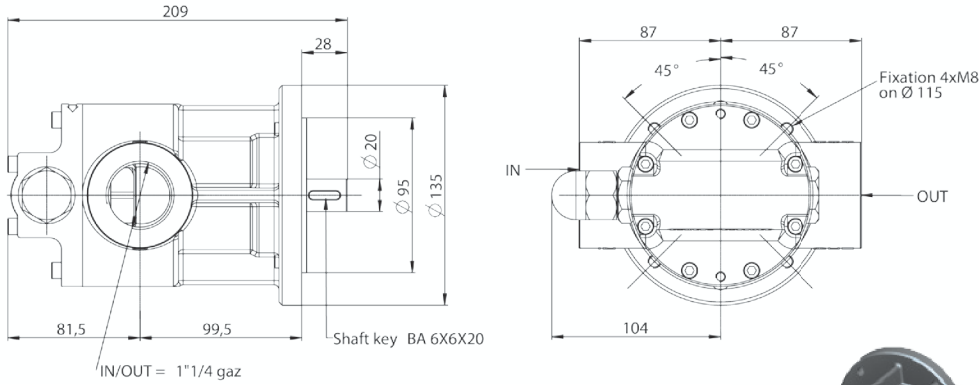
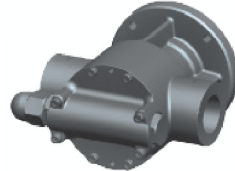


## P30 - P40 - P60 - P67



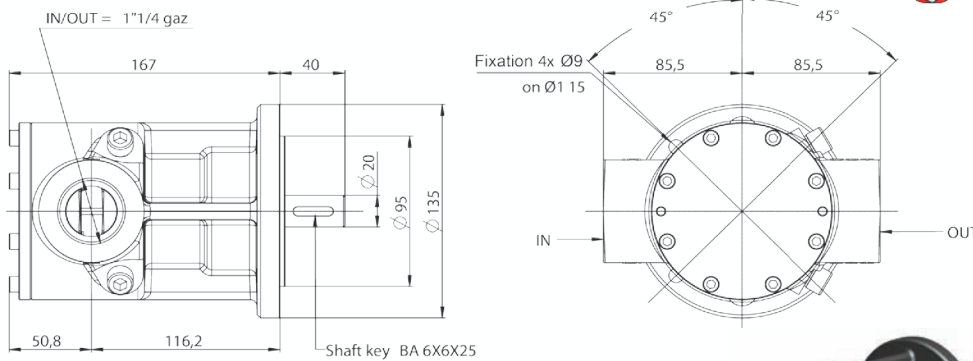
Poids / Weight : 12 kg



### DONNÉES TECHNIQUES / TECHNICAL DATA

Plage de débit (L/min) Flow range (L/min)	≤ 100
Plage de vitesse (tr/min) Speed rotation range (rpm)	≤ 1500*
Plage de viscosité (cSt) Fluid viscosity range (cSt)	1 – 10000*
Capacité d'aspiration (Bar) Suction capacity (Bar)	-0,5
Pression max. d'utilisation (Bar) Max. operating pressure (Bar)	10
Bypass intégré Integrated bypass	Yes
Tarage standard du Bypass (Bar) Standard setting of Bypass	5
Plage de température (°C) Standard operating temperature (°C)	-20 / +150
Matériau corps et stator Body and stator material	Cast iron
Matériau arbre et pales Shaft and vanes materials	Hardened steel
Taille max. des particules solides (microns) Max. size of hard particles (microns)	200
Pression acoustique (dB) Acoustic pressure (dB)	70
Type d'étanchéité disponible Seal type	Mechanical seal

## PR30 - PR40 - PR60

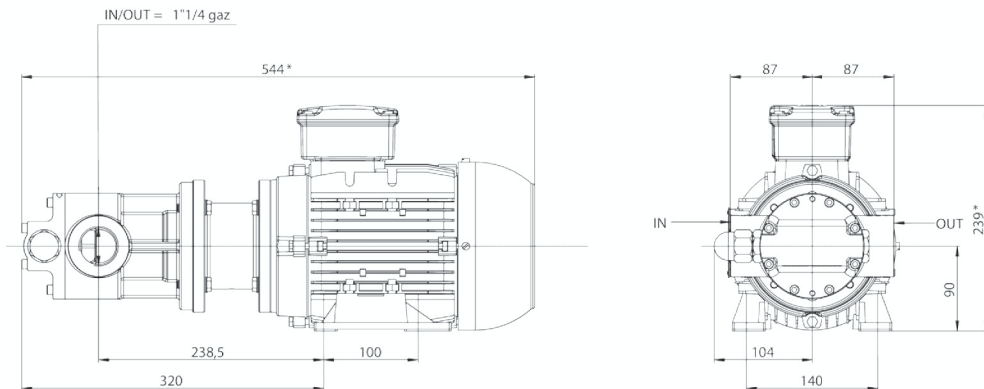


Poids / Weight : 12 kg



Ref.	Débit à 1500 tr/min Flow at 1500 rpm
P30 / PR30 / MP30	45 L/min
P40 / PR40 / MP40	60 L/min
P60 / PR60 / MP60	90 L/min
P67 / PR67 / MP67	100 L/min

## MP30 - MP40 - MP60 - MP67

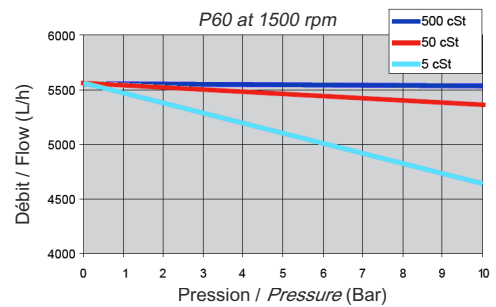


Disponible aussi en version réversible  
Also available with reverse system

Dimensions: Depending on motor  
Weight : Depending on the motor



Flow evolution depending on the pressure



\*Tableau de la viscosité/vitesse \*Viscosity/speed ratio chart

Viscosité (cSt) Viscosity (cSt)	Vitesse max. (tr/min) Max. speed (rpm)
Visc. < 1000	1500
1000 < Visc. < 3000	1000
3000 < Visc. < 5000	750
5000 < Visc. < 10000	500
Visc. > 10000	200

The performance of our products depends on their installation. Please contact us for validation